

MaxMotion

PERFORMANCE DATA SHEET

Meets or exceeds MEPS, as described by the US DOE in docket 10CFR431 and NRCAN's Amendment 14

Catalogue #: **MPSP-304TL-56C**

| HP | kW | Voltage | S.F. @ 60Hz | Efficiency | Power Factor | Frame | Design | L.R. Amps |
|----|------|---------|-------------|------------|--------------|-------|--------|-----------|
| 3 | 2,24 | 575 | 1,15 | 89,5% | 0,785 | 56C | B | 30 |

| 60 Hz | | | | | | | | |
|-------|-----|-----|-----|-----|-----|-----|------|----------|
| FLA | | | | | | | Code | F.L. RPM |
| 208 | 230 | 416 | 460 | 480 | 575 | 600 | | |
| / | / | / | / | / | 3,2 | / | K | 1760 |

| 50 Hz | | | | | | | | |
|-------|-----|-----|-------------|------------|--------------|------|----------|--|
| FLA | | | S.F. @ 50Hz | Efficiency | Power Factor | Code | F.L. RPM | |
| 190 | 380 | 415 | | | | | | |
| / | / | / | / | / | / | / | / | |

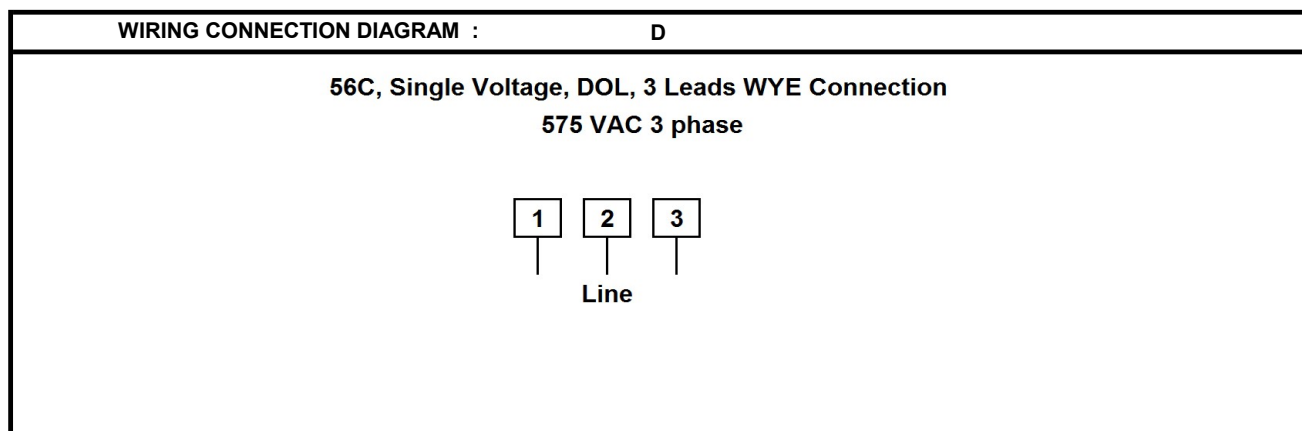
| Wgt. Lbs | PH | Duty | Insul. Class | Amb. | Elevation | Temp. Rise° C |
|----------|----|-------|--------------|------|-----------------|---------------|
| 63 | 3 | Cont. | F | 40°C | 1000M (3300 Ft) | 78 |

| % Efficiency | | % Power Factor | | Torque | | Winding Resist. Ω | Safe Cold Start (Secs) |
|--------------|-------|----------------|------|------------------|-----|-------------------|------------------------|
| Full Load: | 89,5% | Full Load: | 0,79 | Full Load Ft/Lbs | 9,0 | | |
| 3/4 Load: | 82,0% | 3/4 Load: | 0,71 | Locked Rotor % | 260 | / | 12 |
| 1/2 Load: | 67,6% | 1/2 Load: | 0,63 | Break Down % | 330 | / | 12 |

| Rotor Inertia Wk2 Lb-Ft2 | Max Load Inertia Wk2 Lb-Ft2 | Shaft Material | Frame Material | DE Bracket Type | ODE Bracket Type | Enclosure | NEMA Rating | Lead Wire Size |
|--------------------------|-----------------------------|----------------|-----------------|-----------------|------------------|-----------|-------------|----------------|
| / | / | 304SS | Stainless Steel | | | TEFC | IP69K | 14 AWG |

| Ball Bearings | | Grease | Mount Type | Orientation | Paint | Sound Pressure @ 3FT | Sound Power |
|---------------|------|-----------------|------------|-------------|-------|----------------------|-------------|
| DE | ODE | | | | | | |
| 6205 | 6205 | Sealed Bearings | Foot | Horizontal | - | / | / |

| Inverter Duty. Motor meets MG1 parts 31.4.4.2 | Constant Torque Range | Variable Torque Range | Constant HP RPM |
|--|-----------------------|-----------------------|-----------------|
| | | 10:1 | 20:1 |



Date: 2024-01-29
 Customer: _____
 Contact: _____
 Submittee: J.C. Lavallée

Catalogue #: **MPSP-304TL-56C**

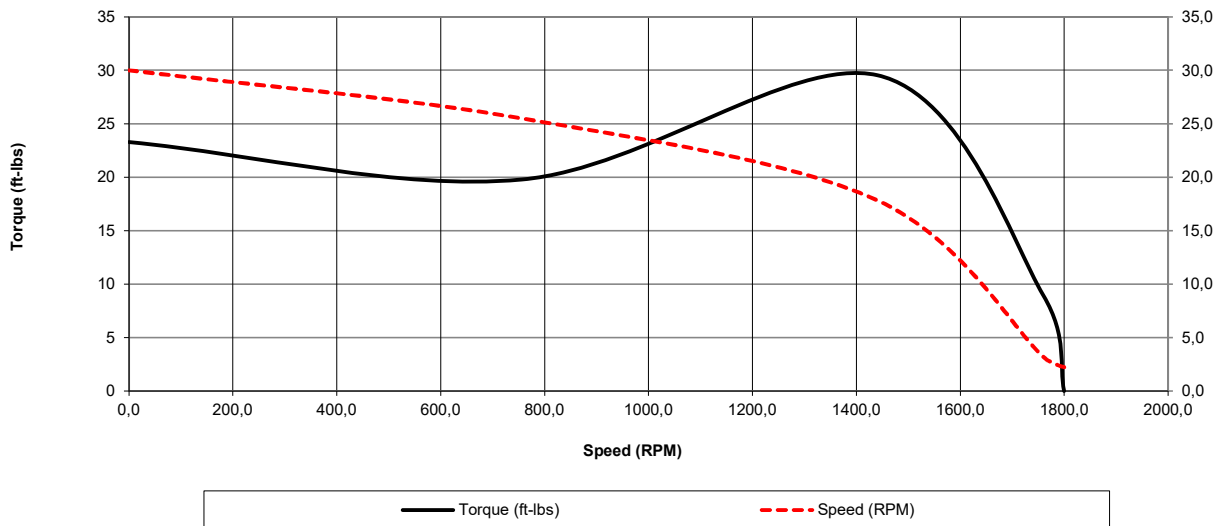
Meets or exceeds MEPS, as described by the US DOE in docket 10CFR431 and NRCan's Amendment 14

| HP | VAC | RPM | Enclosure | Frame | Frequency | Design | Poles | LR Code Letter | Insulation Class | Temp. Rise °C |
|----|-----|------|-----------|-------|-----------|--------|-------|----------------|------------------|---------------|
| 3 | 575 | 1760 | TEFC | 56C | 60 | B | 4 | K | F | 78 |

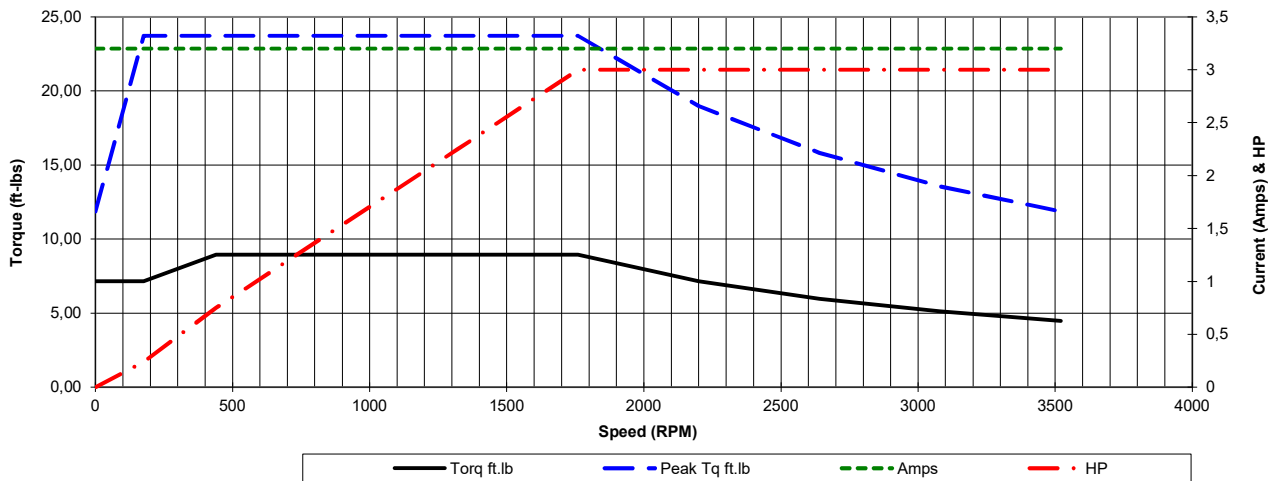
| | 0Hz | 6Hz | 15Hz | 30Hz | 45Hz | 60Hz | 75Hz | 90Hz | 105Hz | 120Hz |
|---------------|-------|-------|-------|-------|-------|-------|-------|-------|-------|-------|
| Amps | 3,2 | 3,2 | 3,2 | 3,2 | 3,2 | 3,2 | 3,2 | 3,2 | 3,2 | 3,2 |
| RPM | 0 | 176 | 440 | 880 | 1320 | 1760 | 2200 | 2640 | 3080 | 3520 |
| Torq ft.lb | 7,16 | 7,16 | 8,95 | 8,95 | 8,95 | 8,95 | 7,16 | 5,97 | 5,12 | 4,48 |
| Peak Tq ft.lb | 11,86 | 23,72 | 23,72 | 23,72 | 23,72 | 23,72 | 18,98 | 15,82 | 13,56 | 11,86 |
| HP | 0 | 0,2 | 0,8 | 1,5 | 2,3 | 3,0 | 3,0 | 3,0 | 3,0 | 3,0 |

| | Locked Rotor | Pull-Up | Breakdown | Rated Load | Idle | Duty | S. F. | Ambient | Elevation | dBa @ 1M |
|-----------------|--------------|---------|-----------|------------|------|---|-------|---------|-----------|----------|
| Speed (RPM) | 0,0 | 756 | 1440 | 1760 | 1800 | Continuous | 1,15 | 40°C | 3,300 ft | / |
| Current (Amps) | 30,0 | 25,5 | 17,9 | 3,2 | 2,2 | VFD Rating: Meets MG1 parts 31.4.4.2 | | | | |
| Torque (ft-lbs) | 23,3 | 19,8 | 29,5 | 9,0 | 0,0 | CT : | 10:1 | VT : | 20:1 | |

Motor Speed Data



Motor Torque Capability vs RPM



Date: 2024-01-29
 Customer: _____
 Contact: _____
 Submittee: J.C. Lavallée

Catalogue #: **MPSP-304TL-56C**

Meets or exceeds MEPS, as described by the US DOE in docket 10CFR431 and NRCan's Amendment 14

| HP | VAC | RPM | Enclosure | Frame | Frequency | Design | Poles | LR Code Letter | Insulation Class | Temp. Rise °C |
|----|-----|------|-----------|-------|-----------|--------|-------|----------------|------------------|---------------|
| 3 | 575 | 1760 | TEFC | 56C | 60 | B | 4 | K | F | 78 |

| Load % | 0% | 25% | 50% | 75% | 100% | 125% | 150% |
|-------------|------|-------|-------|-------|-------|-------|-------|
| Amps | 2,24 | 2,43 | 2,60 | 2,82 | 3,20 | 4,00 | 4,80 |
| Torq ft/lbs | 0 | 2,20 | 4,43 | 6,68 | 8,95 | 11,25 | 13,58 |
| RPM | 0 | 1790 | 1780 | 1770 | 1760 | 1750 | 1740 |
| Eff | 0 | 46,20 | 68,94 | 84,30 | 89,50 | 87,71 | 85,20 |
| PF | 0 | 50,0 | 62,8 | 71 | 78,5 | 80,1 | 82,4 |

| | Locked Rotor | Pull-Up | Breakdown | Rated Load | Idle | Duty | S. F. | Ambient | Elevation | dBa @ 1M |
|-----------------|--------------|---------|-----------|------------|------|---|-------|---------|-----------|----------|
| Speed (RPM) | 0 | 756 | 1440 | 1760 | 1800 | Continuous | 1,15 | 40°C | 3,300 ft | / |
| Current (Amps) | 30 | 25,5 | 17,9 | 3,2 | 2,24 | VFD Rating: Meets MG1 parts 31.4.4.2 | | | | |
| Torque (ft-lbs) | 23,28 | 19,78 | 29,54 | 8,95 | 0,0 | CT | 10:1 | VT | 20:1 | |

